

Screw LED Tape Connectors

8mm, 2 Wire, IP20 rated, 14-20 AWG Screw Connectors

Description

EnoLED's screw connectors streamline tape light installation, offering a simple and reliable power connection. Effortlessly link tape to tape or tape to wire with clean preparation and precise screw tightening for hassle-free functionality.

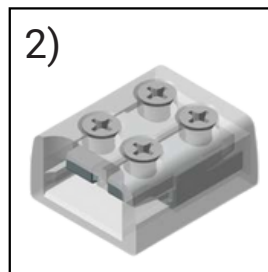
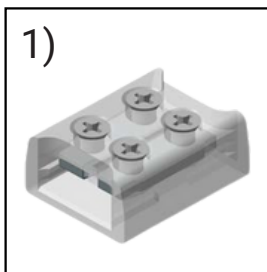
Fits inside channels for a clean, professional installation.

Features

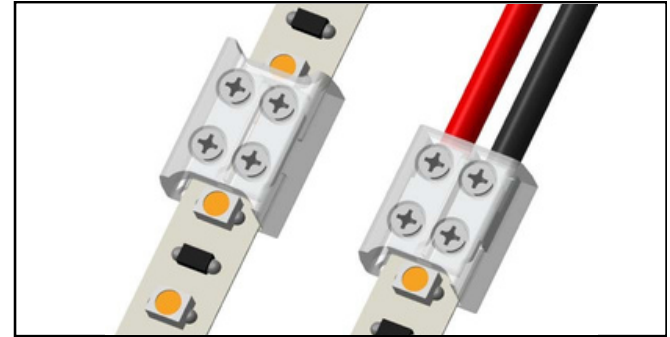
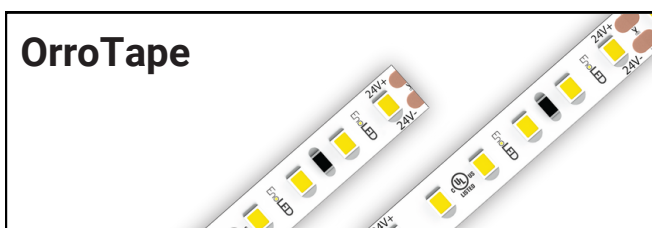
- Tape to tape and tape to wire options
- Compatible with 8mm Tapes and COB
- 6A Max Power
- Quick and clean connection
- Fits inside channels

Ordering Information

Ordering Code	Description
1) ENO-SC-TT-10	0.39" (10mm) Tape to tape connector
2) ENO-SC-TW-10	0.39" (10mm) Tape to wire connector

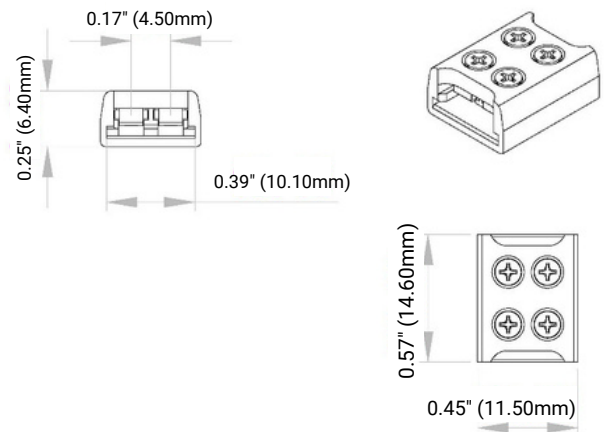


Compatible LED Tape



Dimensions

ENO-SC-TW-8 Tape to Wire Connector



ENO-SC-TT-8 - Tape to Tape Connector

