

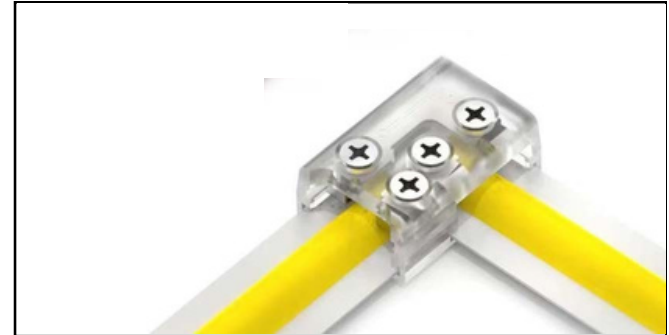
90° Screw LED Tape Connectors

8mm / 10mm, 2 Wire, IP20 rated, 14-20 AWG Screw Connectors

Description

EnoLED's screw connectors streamline tape light installation, offering a simple and reliable power connection. Effortlessly link tape to tape or tape to wire with clean preparation and precise screw tightening for hassle-free functionality.

Fits inside channels for a clean, professional installation.

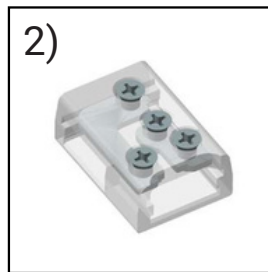
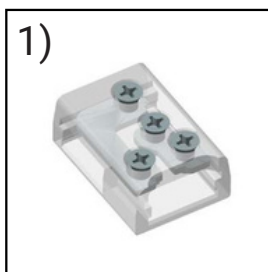


Features

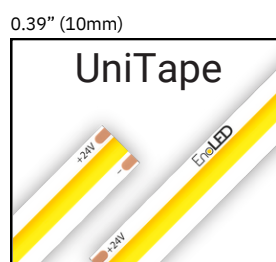
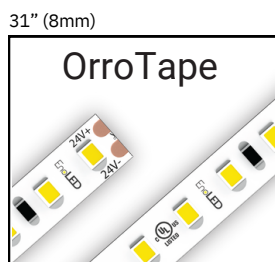
- 8mm / 10mm
- Compatible with Tapes and COB
- 6A Max Power
- Quick and clean connection
- Fits inside channels

Ordering Information

Ordering Code	Description
1) ENO-SC-LL-10	0.39" (10mm) Tape to tape connector
2) ENO-SC-LL-8	0.31" (8mm) Tape to wire connector

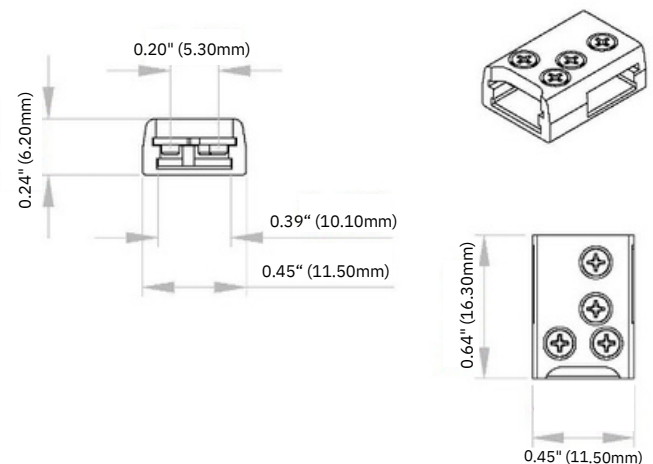


Compatible LED Tapes



Dimensions

E1) ENO-SC-LL-10 - 10mm Tape to Tape 90° Connector



E1) ENO-SC-LL-8 - 8mm Tape to Tape 90° Connector

