

MRD Series

P/N: MRD-xxW-24VDC

Phase Cut Dimmable UL Class 2 LED Driver

Warning

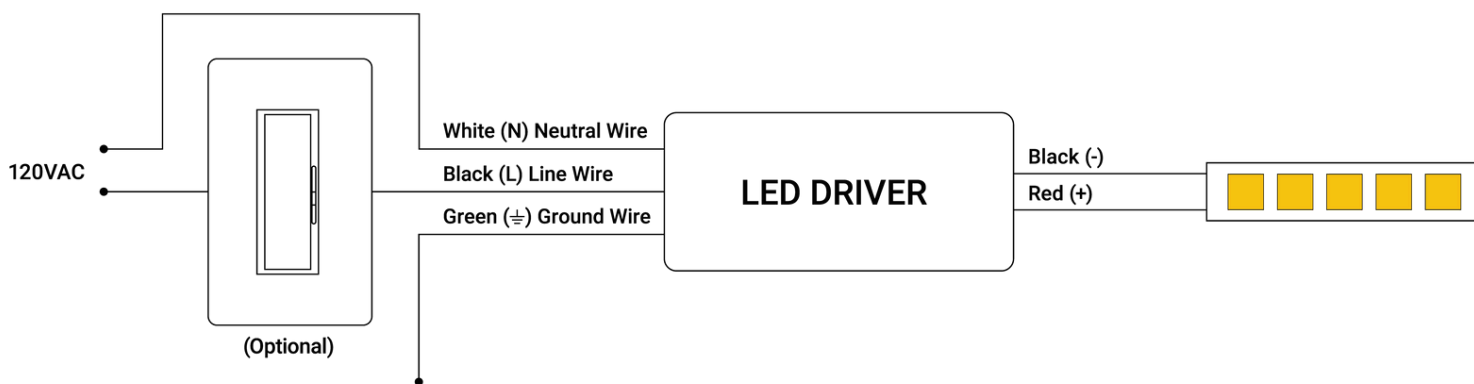
To avoid fire, shock, or death, turn the power off at the circuit breaks before wiring.

Mounting the Driver

Select a suitable location that can provide adequate support for the weight of the driver. It is recommended to install the driver vertically for maximum heat dissipation. Install the driver in a well-ventilated area free from explosive gases and vapors. If you are installing more than one driver, keep at least a 6" distance between each driver.

Quick Specs	
Input Voltage	120VAC
Output Voltage	24VDC
Dimming Type	Incandescent/CLF/LED/ MLV/ELV
Ambient Temp	-86°F - +104°F
Environment	Dry and damp location

Wire Connections



Customer Support

For technical questions regarding the installation or operation of this product, please contact our customer support team:

 +1 216-208-4974  customercare@enoled.com