

NanoDrive Series

0-10V Dimmable CV LED Driver

P/N: NANO-xxW-24VDC

Warning

To avoid fire, shock, or death, turn the power off at the circuit breaks before wiring.

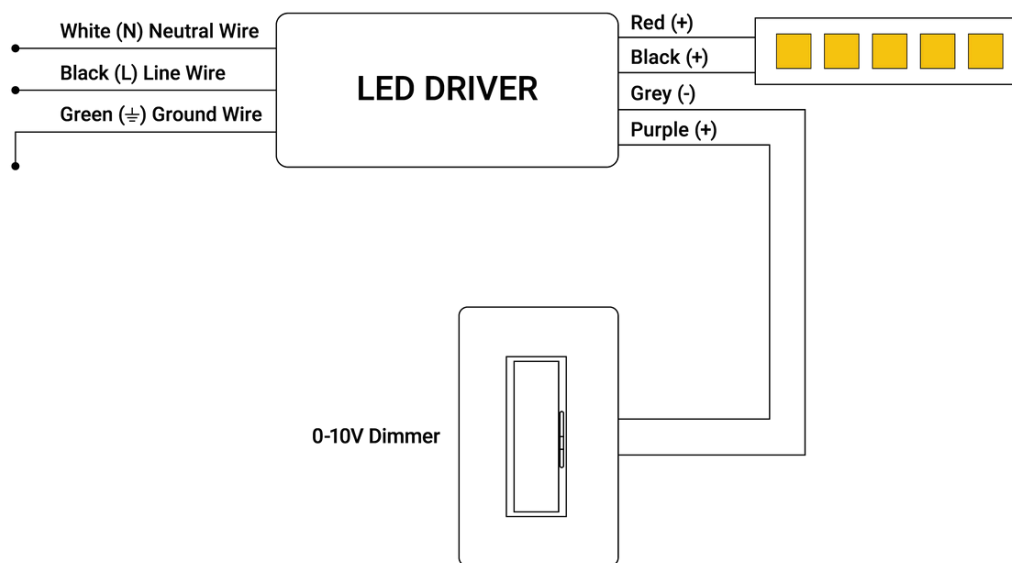
Mounting the Driver

Select a suitable location that can provide adequate support for the weight of the driver. It is recommended to install the driver vertically for maximum heat dissipation. Install the driver in a well-ventilated area free from explosive gases and vapors. If you are installing more than one driver, keep at least a 6" distance between each driver.

Quick Specs

Input Voltage	120-277VAC
Output Voltage	24VDC
Dimming Type	0-10V
Ambient Temp	-86°F - +104°F
Environment	IP65

Wire Connections



Customer Support

For technical questions regarding the installation or operation of this product, please contact our customer support team:

+1 216-208-4974
 customercare@enoled.com