

## XRD & MRD Series Compact Dimmable LED Drivers

P/N: XRD-xxxW-xxVDC  
P/N: MRD-xxW-xxVDC

### Warning

To avoid fire, shock, or death, turn the power off at the circuit breaks before wiring.

### Mounting the Driver

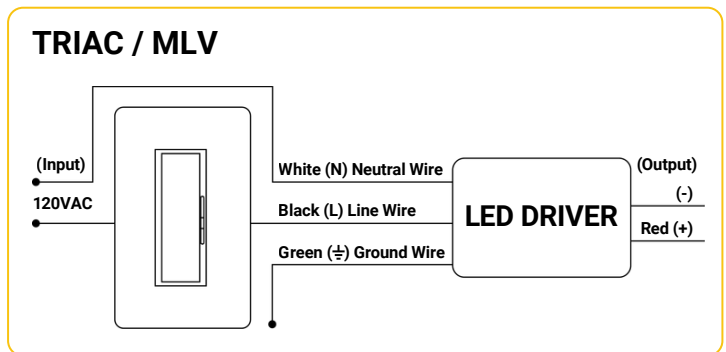
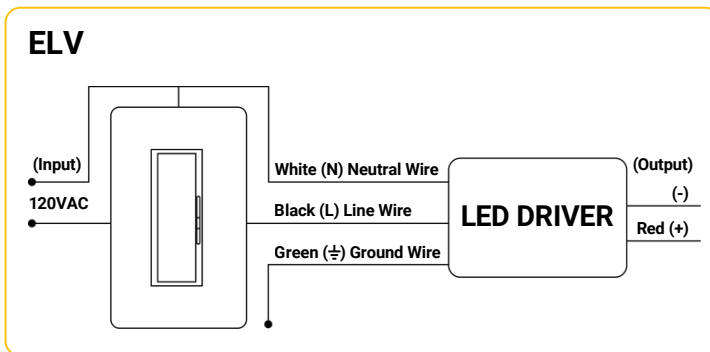
Select a suitable location that can provide adequate support for the weight of the driver. It is recommended to install the driver vertically for maximum heat dissipation. Install the driver in a well-ventilated area free from explosive gases and vapors. If you are installing more than one driver, keep at least a 6" distance between each driver.

### Quick Specs

|                |                               |
|----------------|-------------------------------|
| Input Voltage  | 120VAC                        |
| Output Voltage | 24VDC / 12VDC (check label)   |
| Dimming Type   | Incandescent/CLF/LED/ MLV/ELV |
| Ambient Temp   | -40°F - 104°F (-40°C - 40°C)  |
| Environment    | Damp and dry locations        |

### Wire Connections

With the power switched off, connect the wires according to the wiring diagram below.



### Customer Support

For technical questions regarding the installation or operation of this product, please contact our customer support team:

 +1 216-208-4974  [customercare@enoled.com](mailto:customercare@enoled.com)

Some dimmers may cause low-end flickering. To prevent this, adjust the dimmer's low-end trim setting.

