

JPro Series

5-in-1 Dimmable JBox LED Driver



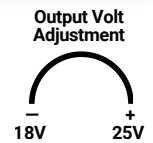
JPro Series

5-in-1 Dimmable JBox LED Driver



Features

- 5-in-1 Universal Dimming Compatibility
- PWM & Voltage Reduction Dimming Modes
- Ultra-Smooth 0.1% Flicker-Free Dimming
- Universal 120–277VAC Input
- Long Run Voltage Drop Compensation
- IP67 Rated for Indoor & Outdoor Use
- Backed by a 6-Year Limited Warranty



Dimming

Dimming Protocols: TRIAC / MLV / ELV / 0-10V
1-10V / Potentiometer
10V PWM

Min. Dimming Level: 0.1%

Dim to Off: Yes

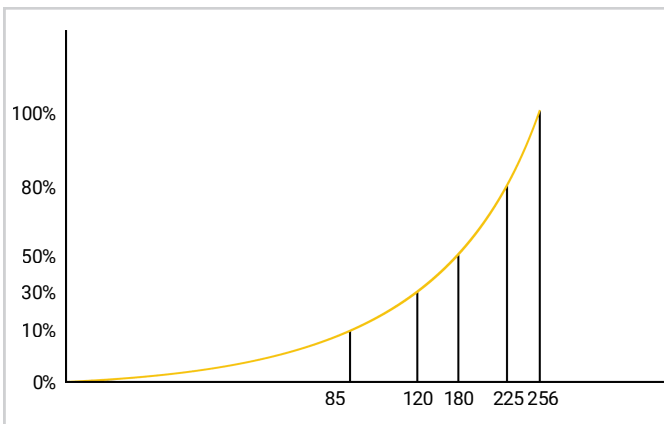
Dimming Curve: Linear

Dimming type: PWM (20KHz)

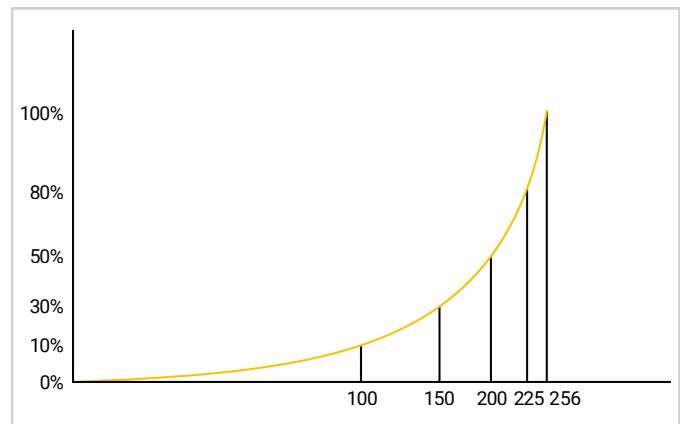
Applications

- LED strip
- LED tape
- Cove lights
- Linear lights
- Puck lights

PWM dimming curve



VR dimming curve



JPro Series

5-in-1 Dimmable JBox LED Driver



Specifications

Input	Ordering Code: JPro-96W-24VDC	JPro-200W-24VDC	JPro-300W-24VDC
Input Voltage Range:	120-277VAC	120-277VAC	120-277VAC
Input Frequency:	50-60Hz	50-60Hz	50-60Hz
Input Current:	1.3A	2.2A	3.3A
Inrush Current:	1.6ms Max	1.6ms Max	1.6ms Max
Efficiency:	90%	92%	92%
Power Factor:	>0.9	>0.9	>0.9
THD:	<20%	<20%	<20%

Output

Output Voltage:	24VDC	24VDC	24VDC
Maximum Load:	96W	200W	300W
Output Current @ Max Load:	4.16A	8.33A	12.5A
Output Dimming Method / Frequency:	PWM (20KHz) / Voltage Reduction (optional with a switch)		
Flicker Compliance:	Compliant with Title 24 Part 6 flicker requirements		
Output Ripple (Peak-to-Peak):	<300MV	<350MV	<350MV
Line Regulation:	±0.5%	±0.5%	±0.5%
Load Regulation:	±1%	±1%	±1%
Turn on delay time:	<0.8s	<0.8s	<0.8s

Environmental

Operating Ambient Temp.:	40°F - 140°F (-40°C - 60°C)	40°F - 140°F (-40°C - 60°C)	40°F - 140°F (-40°C - 60°C)
Maximum Case Temp. (Tcase):	90°C	90°C	90°C
Storage Temp.:	20~90%RH	20~90%RH	20~90%RH
Ingress Protection (IP):	IP65	IP65	IP65
Expected Lifetime:	>50,000h	>50,000h	>50,000h

Protection

Over Current Protection:	Hiccup Mode, auto Recovery after fault condition is removed
Over Temperature Protection:	Hiccup Mode, auto Recovery after fault condition is removed
Overload Protection:	Hiccup Mode, auto Recovery after fault condition is removed
Short Circuit Protection:	Hiccup Mode, auto Recovery after fault condition is removed

Enclosure

Dimensions:	8.91" x 4.62" x 1.67"	10" x 5.19" x 1.67"	11.37" x 5.19" x 1.92"
Material:	Aluminum	Aluminum	Aluminum
Finish:	Black Powder Coat	Black Powder Coat	Black Powder Coat
Connection type:	Lead Wire / J-box	Lead Wire / J-box	Lead Wire / J-box
Weight:	2.2lbs (1kg)	3.96 lbs (1.8kg)	4.62 lbs (2.1kg)

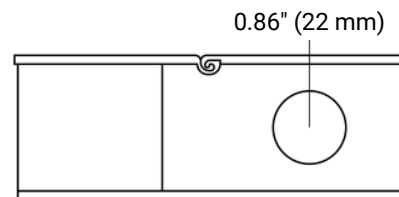
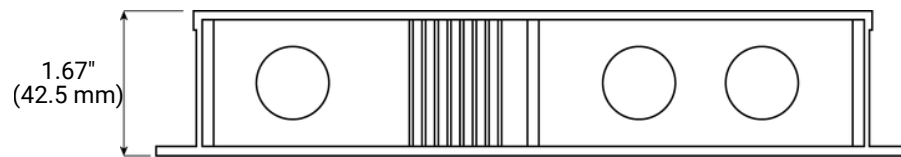
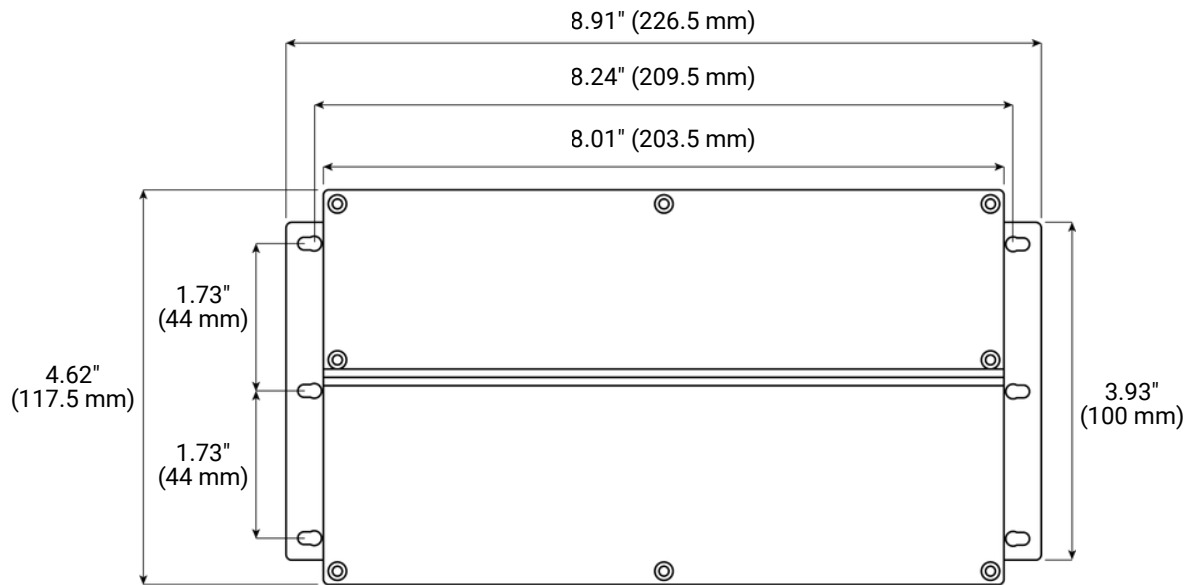
JPro Series

5-in-1 Dimmable JBox LED Driver



Mechanical Overview

JPro-96W-24VDC



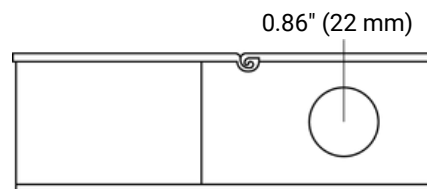
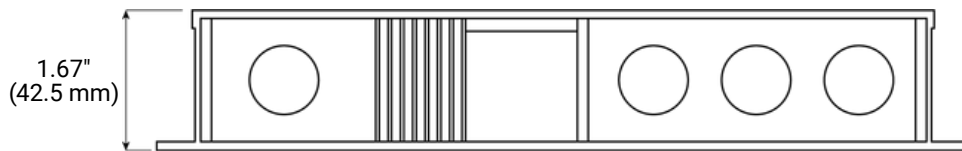
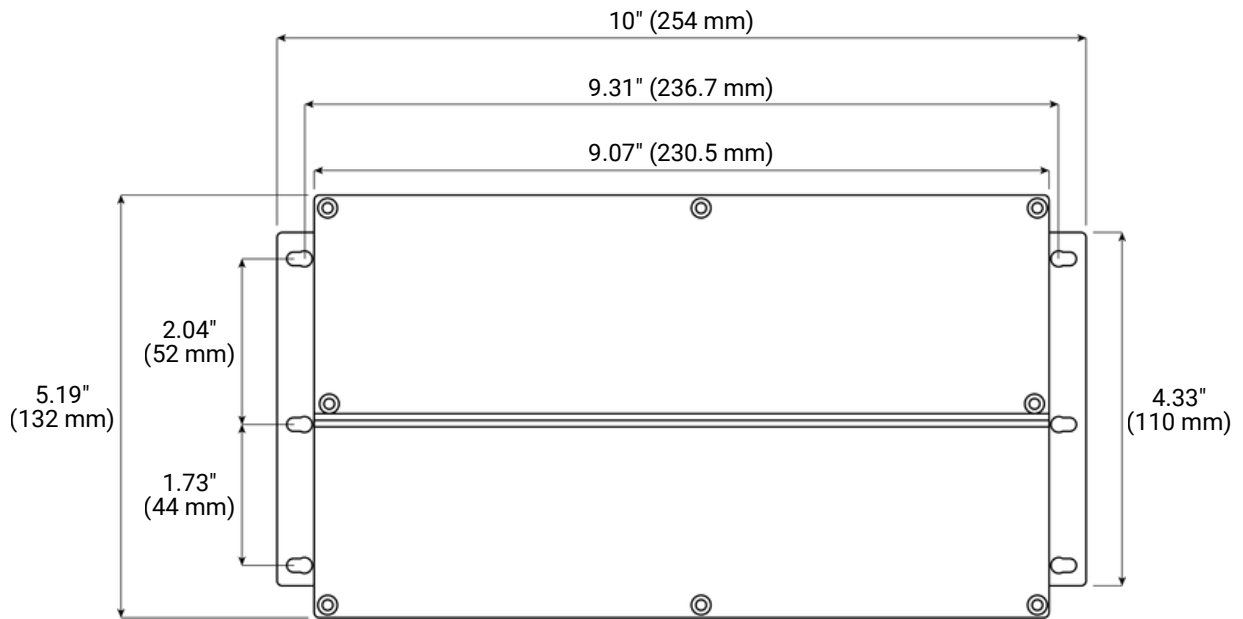
JPro Series

5-in-1 Dimmable JBox LED Driver



Mechanical Overview

JPro-200W-24VDC



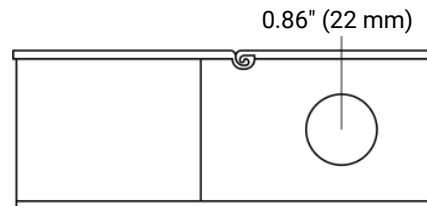
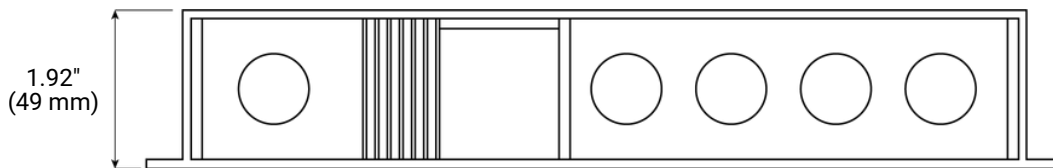
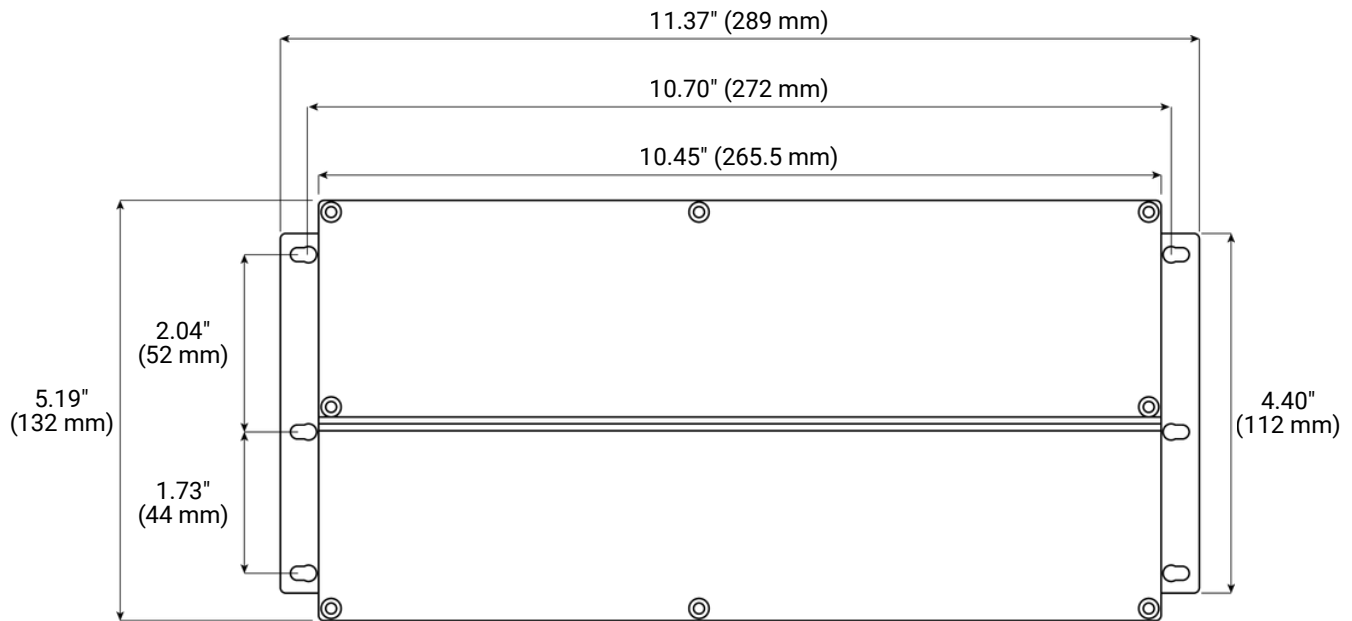
JPro Series

5-in-1 Dimmable JBox LED Driver



Mechanical Overview

JPro-300W-24VDC



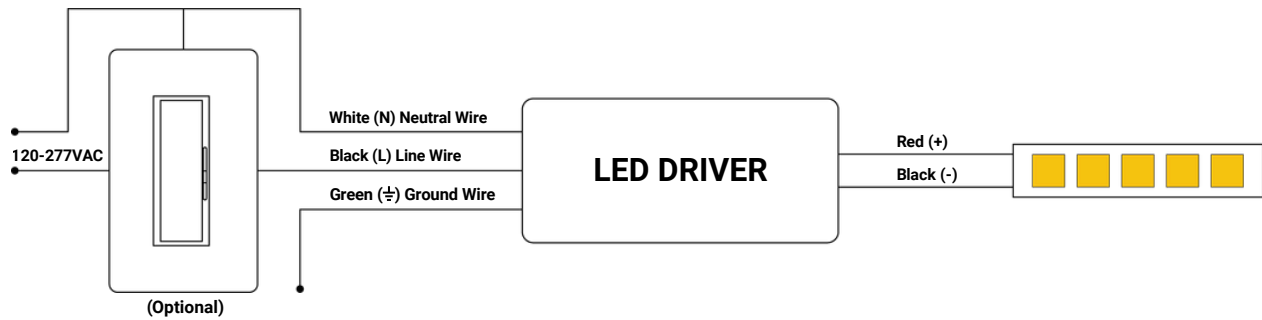
JPro Series

5-in-1 Dimmable JBox LED Driver

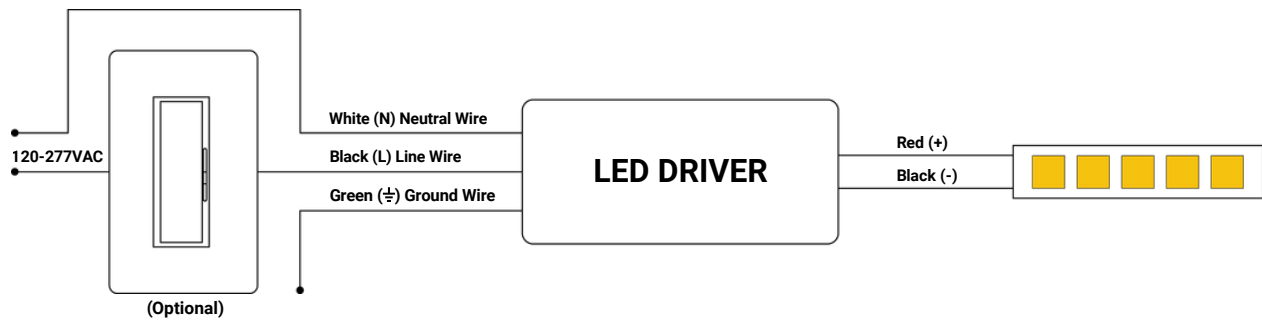


Wiring Diagrams

ELV



TRIAC / MLV



0-10V

