

MRD Series

12/24VDC Super Compact Phase Cut Dimmable Class 2, LED Drivers



Class 2



MRD Series

12/24VDC Super Compact Phase Cut Dimmable Class 2 LED Driver



Features

- Super compact - fits into a 4" x 4" J-Box
- UL Recognized - Class 2
- Dimmable with any Incandescent/CLF/LED/MLV/ELV (leading or trailing edge) dimmer switch
- Dim down to 1%
- Overload and short circuits auto-reset protection
- 88% Efficiency @ Full Load
- Damp and dry location



Fits 4"x4" JBox

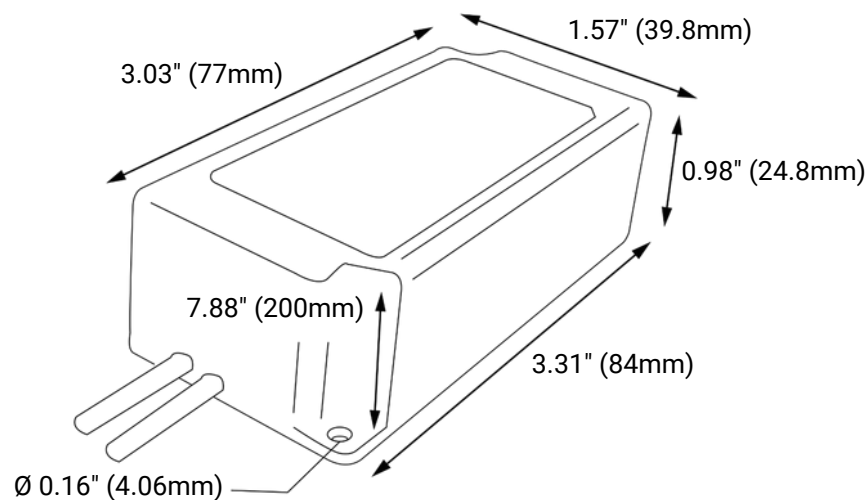
Dimming

Dimming Type:	Triac / ELV (Phase cut)
Min. Dimming Level:	1%
Dimming Curve:	Linear

Applications

- LED strip
 - LED tape
 - Cove lights
 - Linear lights
 - Puck lights
- Not compatible with Receivers / Controllers.

Mechanical Diagram



MRD Series

12/24VDC Super Compact Phase Cut Dimmable Class 2 LED Driver



Specifications

Input	Ordering Code:	MRD-60W-24VDC	MRD-75W-24VDC	MRD-96W-24VDC
Input Voltage Range:		120VAC +/- 5%	120VAC +/- 5%	120VAC +/- 5%
Input Frequency:		50-60Hz	50-60Hz	50-60Hz
Input Current:		0.9A max	0.9A max	0.9A max
Inrush Current:		12A	12A	13A
Efficiency:		87%	87%	88%
Power Factor:		0.94	0.94	0.94
THD:		< 20% (@100% load)	< 20% (@100% load)	< 20% (@100% load)

Output

Output Voltage:	24VDC	24VDC	24VDC
Max Load:	60W	75W	96W
Output Current @ Max Load:	2.5A	3.2A	4A
Turn on delay time:	35ms	35ms	35ms

Environmental

Operating Ambient Temp.:	-40°F - 104°F (-40°C - 40°C)	-40°F - 104°F (-40°C - 40°C)	-40°F - 104°F (-40°C - 40°C)
Maximum Case Temp. (Tcase):	90°C	90°C	90°C
Ingress Protection (IP):	IP23	IP23	IP23
Expected Lifetime:	>50,000	>50,000	>50,000

Protection

Over Temp Protection:	Hiccup Mode, auto Recovery after fault condition is removed
Over Load Protection:	Hiccup Mode, auto Recovery after fault condition is removed
Short Circuit Protection:	Hiccup Mode, auto Recovery after fault condition is removed

Enclosure

Dimensions:	3.31" x 1.57" x 0.98" (L*W*H)		
Material:	PC	PC	PC
Finish:	Frosted Black	Frosted Black	Frosted Black
Connection type:	Lead Wire	Lead Wire	Lead Wire
Weight:	0.4lbs	0.4lbs	0.4lbs

MRD Series

12/24VDC Super Compact Phase Cut Dimmable Class 2 LED Driver



Specifications

Input	Ordering Code: MRD-40W-24VDC	MRD-40W-12VDC	MRD-60W-12VDC
Input Voltage Range:	120VAC +/- 5%	120VAC +/- 5%	120VAC +/- 5%
Input Frequency:	50-60Hz	50-60Hz	50-60Hz
Input Current:	0.9A max	0.9A max	0.9A max
Inrush Current:	12A	12A	13A
Efficiency:	86%	86%	87%
Power Factor:	0.94	0.94	0.94
THD:	< 20% (@100% load)	< 20% (@100% load)	< 20% (@100% load)

Output

Output Voltage:	24VDC	12VDC	12VDC
Max Load:	40W	40W	60W
Output Current @ Max Load:	1.66A	3.33A	5A
Turn on delay time:	35ms	35ms	35ms

Environmental

Operating Ambient Temp.:	-40°F - 104°F (-40°C - 40°C)	-40°F - 104°F (-40°C - 40°C)	-40°F - 104°F (-40°C - 40°C)
Maximum Case Temp. (Tcase):	90°C	90°C	90°C
Ingress Protection (IP):	IP23	IP23	IP23
Expected Lifetime:	>50,000	>50,000	>50,000

Protection

Over Temp Protection:	Hiccup Mode, auto Recovery after fault condition is removed
Over Load Protection:	Hiccup Mode, auto Recovery after fault condition is removed
Short Circuit Protection:	Hiccup Mode, auto Recovery after fault condition is removed

Enclosure

Dimensions:	3.31" x 1.57" x 0.98" (L*W*H)		
Material:	PC	PC	PC
Finish:	Frosted Black	Frosted Black	Frosted Black
Connection type:	Lead Wire	Lead Wire	Lead Wire
Weight:	0.4lbs	0.4lbs	0.4lbs

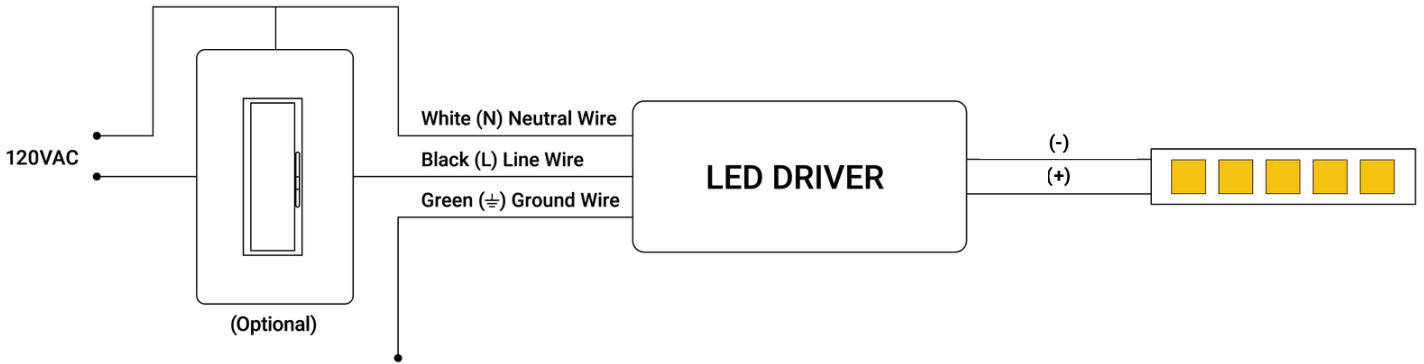
MRD Series

12/24VDC Super Compact Phase Cut Dimmable Class 2 LED Driver



Wiring Diagrams

ELV



TRIAC / MLV

