

MX1 High Power Series

24VDC, Compact Dimmable J-Box
LED Driver



MX1 High Power Series

24VDC, Compact Dimmable J-Box LED Driver



Features

- The smallest High-Power dimmable LED drivers in the market
- Built-in junction box
- IP65 - Suitable for dry and wet locations
- Dimmable with any CLF/LED/MLV/ELV (leading or trailing edge) dimmer switch
- Smooth, flicker-free dimming
- Overload and short circuits protection
- 90% Efficiency @ Full Load



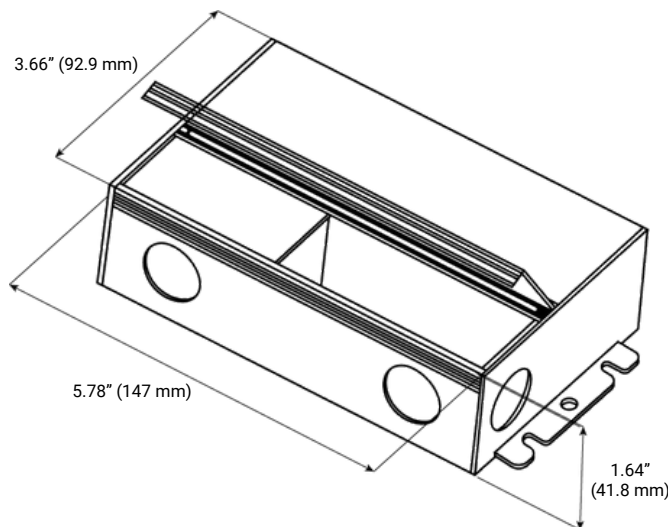
Dimming

Dimming Protocol:	Triac / ELV (Phase cut)
Min. Dimming Level:	1%
Dim to Off:	Yes
Dimming Curve:	Linear

Applications

- LED strip
 - LED tape
 - Cove lights
 - Linear lights
 - Puck lights
- Not compatible with Receivers / Controllers.

Mechanical Overview



MX1 High Power Series

24VDC, Compact Dimmable J-Box LED Driver



Specifications

Input	Ordering Code:	MX1-150W-24VDC	MX1-200W-24VDC	MX1-300W-24VDC
Input Voltage Range:		120VAC +/- 5%	120VAC +/- 5%	120VAC +/- 5%
Input Frequency:		60Hz	60Hz	60Hz
Input Current:		2.6A max	2.6A max	2.6A max
Inrush Current:		12A	12A	13A
Efficiency:		89%	90%	90%
Power Factor:		0.94	0.94	0.94
THD:		< 20% (@100% load)	< 20% (@100% load)	< 20% (@100% load)

Output

Output Voltage:		24VDC	24VDC	24VDC
Max Load:		150W	200W	300W
Output Current @ Max Load:		6.25A	8.33A	12.5A
Turn on delay time:		35ms	35ms	35ms

Environmental

Operating Ambient Temp.:		-40°F - 104°F (-40°C - 40°C)	-40°F - 104°F (-40°C - 40°C)	-40°F - 104°F (-40°C - 40°C)
Maximum Case Temp. (Tcase):		90°C	90°C	90°C
Ingress Protection (IP):		IP65	IP65	IP65
Cover type:		Screwless	Screwless	Screwless
Expected Lifetime:		>50,000	>50,000	>50,000

Protection

Over Temp Protection:		Yes / Hiccup Mode	Yes / Hiccup Mode	Yes / Hiccup Mode
Over Load Protection:		Yes / Hiccup Mode	Yes / Hiccup Mode	Yes / Hiccup Mode
Short Circuit Protection:		Yes / Hiccup Mode	Yes / Hiccup Mode	Yes / Hiccup Mode

Enclosure

Dimensions:		3.85" x 1.64" x 6.57"	3.85" x 1.64" x 6.57"	3.85" x 1.64" x 6.57"
Material:		Aluminum	Aluminum	Aluminum
Finish:		Black Powder Coat	Black Powder Coat	Black Powder Coat
Connection type:		Lead Wire / J-box	Lead Wire / J-box	Lead Wire / J-box
Weight:		2.05lbs	2.05lbs	2.05lbs

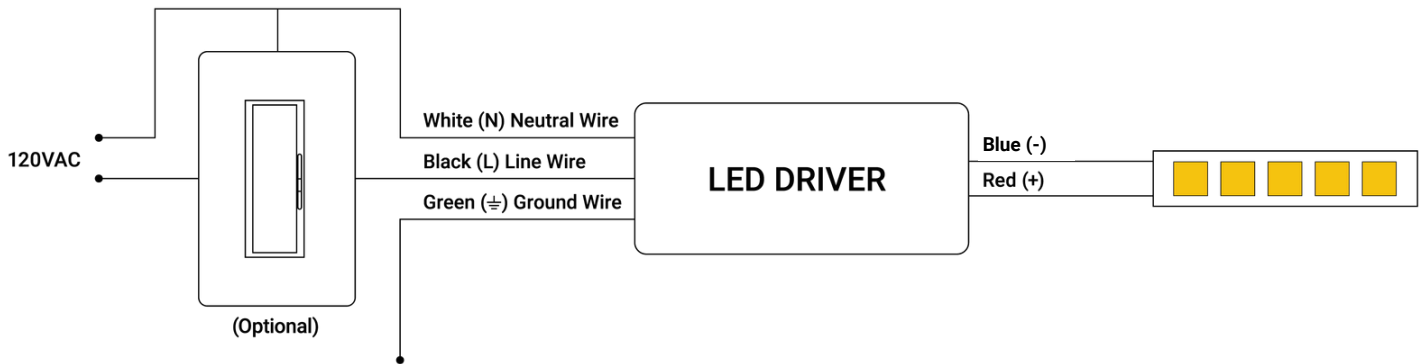
MX1 High Power Series

24VDC, Compact Dimmable J-Box LED Driver

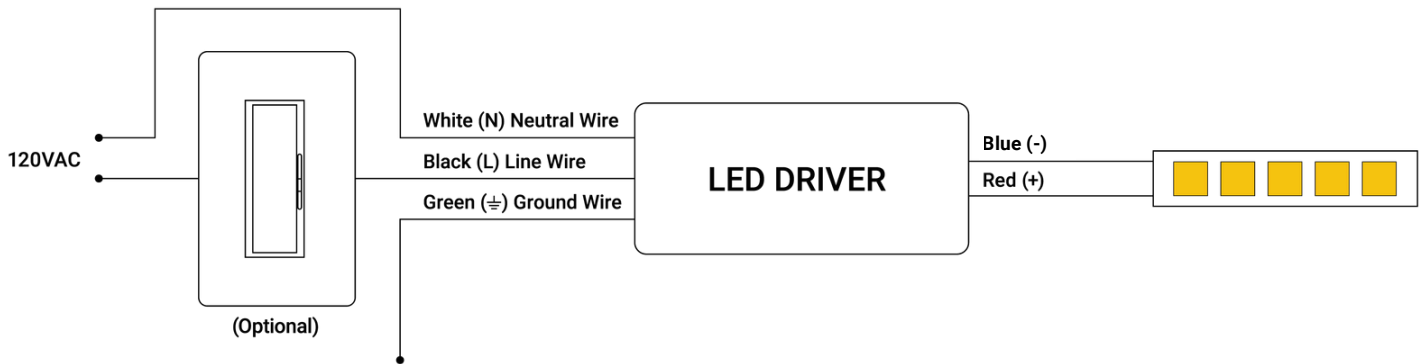


Wiring Diagrams

ELV



TRIAC / MLV



MX1 High Power Series

24VDC, Compact Dimmable J-Box LED Driver



Mechanical Diagrams

