

## MX2 Series

Multi-Output Class 2 Phase Cut Dimmable  
J-Box LED Driver



Dimmable



# MX2 Series

## Multi-Output Class 2 Phase Cut Dimmable J-Box LED Driver

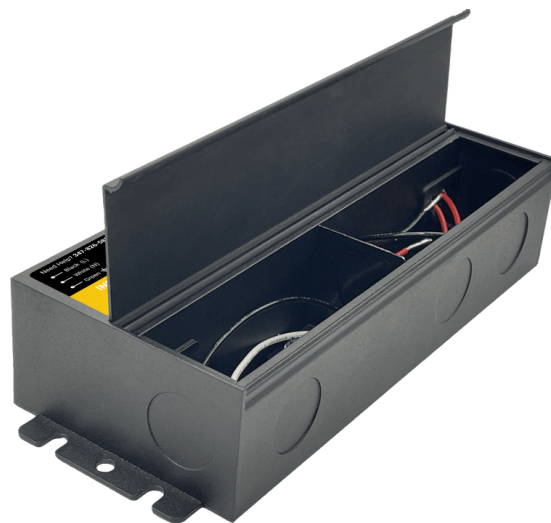


Dimmable



### Features

- New Compact Design
- Multi-Channel UL listed Class 2
- Dimmable with any Incandescent/CLF/LED/MLV/ELV (leading or trailing edge) dimmer switch
- Dim down to 0.1%
- No minimum load required
- Can be fully loaded without derating
- IP65 rated for dry and wet locations
- Built-in junction box with multiple 7/8" knock-outs
- 6-year warranty



### Dimming

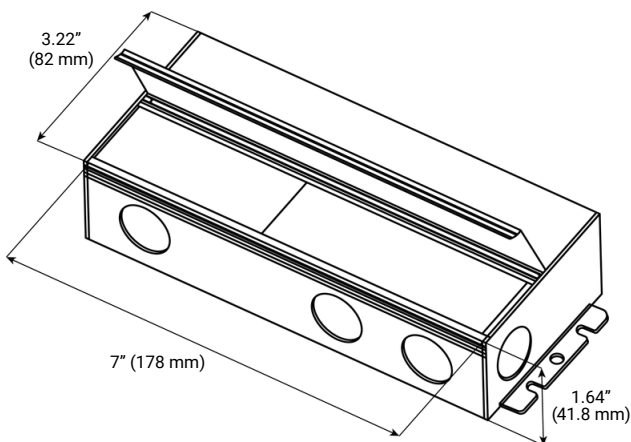
<b>Dimming Protocol:</b>	Triac / ELV (Phase cut)
<b>Min. Dimming Level:</b>	0.1%
<b>Dim to Off:</b>	Yes
<b>Dimming Curve:</b>	Linear

### Applications

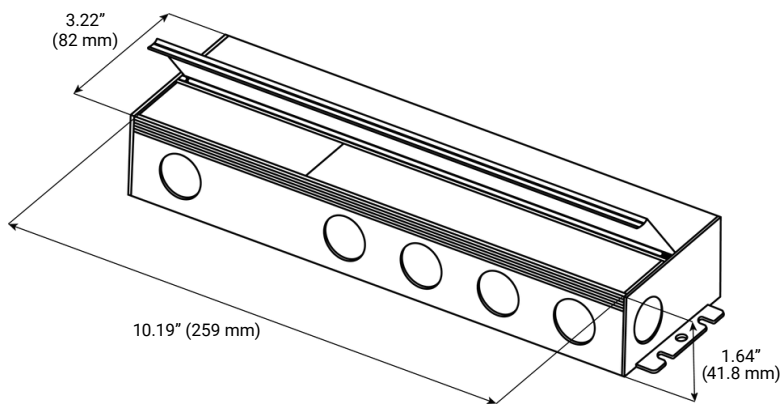
- LED strip
  - LED tape
  - Cove lights
  - Linear lights
  - Puck lights
- Not compatible with Receivers / Controllers.

### Mechanical Overview

#### MX2-192W-24DC



#### MX2-288W-24DC



# MX2 Series

## Multi-Output Class 2 Phase Cut Dimmable J-Box LED Driver



### Specifications

Input	Ordering Code:	MX2-192W-24DC	MX2-288W-24DC
Input Voltage Range:		120VAC +/- 5%	120VAC +/- 5%
Input Frequency:		50-60Hz	50-60Hz
Input Current:		1.86A max	2.79A max
Inrush Current:		11.8A	12.6A
Efficiency:		88%	88%
Power Factor:		0.94	0.94
THD:		< 20%(@100% load)	< 20%(@100% load)

### Output

Output Voltage:	24VDC	24VDC
Max Load:	96W x 2 Channel	96W x 3 Channel
Output Current @ Max Load:	4A x 2 Channel	4A x 3 Channel
Turn on delay time:	35ms	35ms

### Environmental

Operating Ambient Temp.:	40°F - 104°F (-40°C - 40°C)	40°F - 104°F (-40°C - 40°C)
Maximum Case Temp. (Tcase):	90°C	90°C
Ingress Protection (IP):	IP65	IP65
Cover type:	Screwless	Screwless
Expected Lifetime:	>50,000	>50,000

### Protection

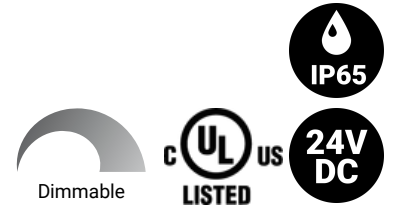
Over Temp Protection:	Yes / Hiccup Mode	Yes / Hiccup Mode
Over Load Protection:	Yes / Hiccup Mode	Yes / Hiccup Mode
Short Circuit Protection:	Yes / Hiccup Mode	Yes / Hiccup Mode

### Enclosure

Dimensions:	7.79" x 3.22" x 1.64" (L*W*H)	10.98" x 3.22" x 1.64" (L*W*H)
Material:	Aluminum	Aluminum
Finish:	Black Powder Coat	Black Powder Coat
Connection type:	Lead Wire / J-box	Lead Wire / J-box
Weight:	1.76lbs	2.42lbs

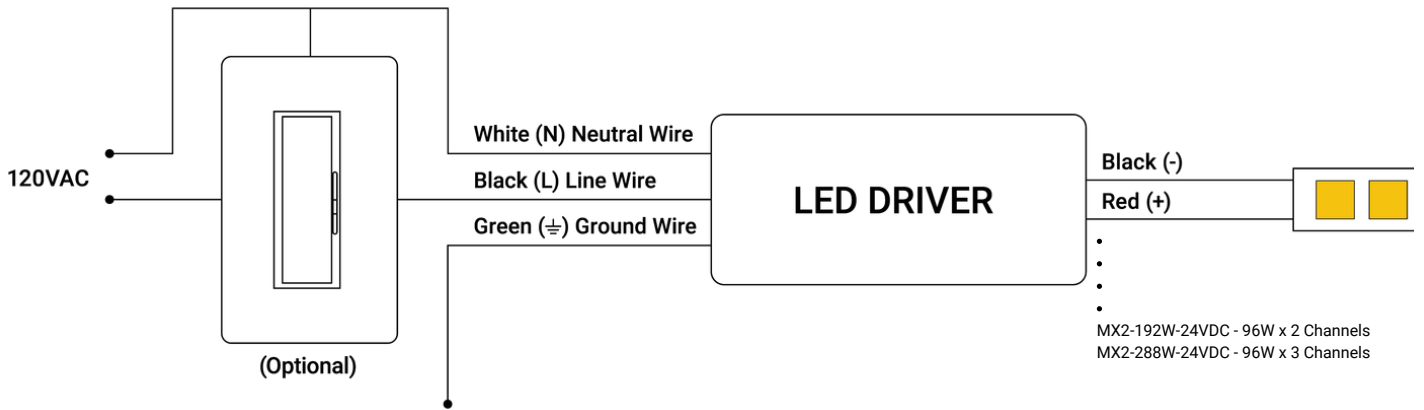
# MX2 Series

Multi-Output Class 2 Phase Cut Dimmable  
J-Box LED Driver

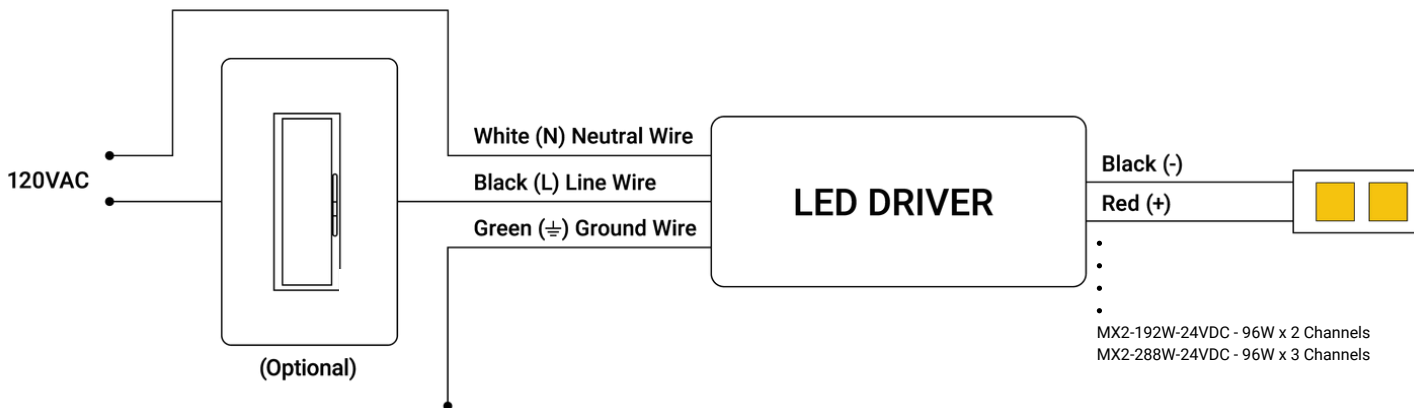


## Wiring Diagrams

### ELV

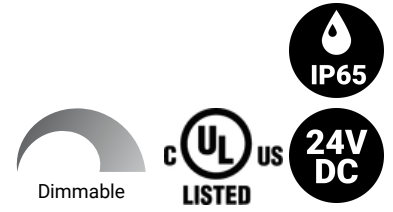


### TRIAC / MLV



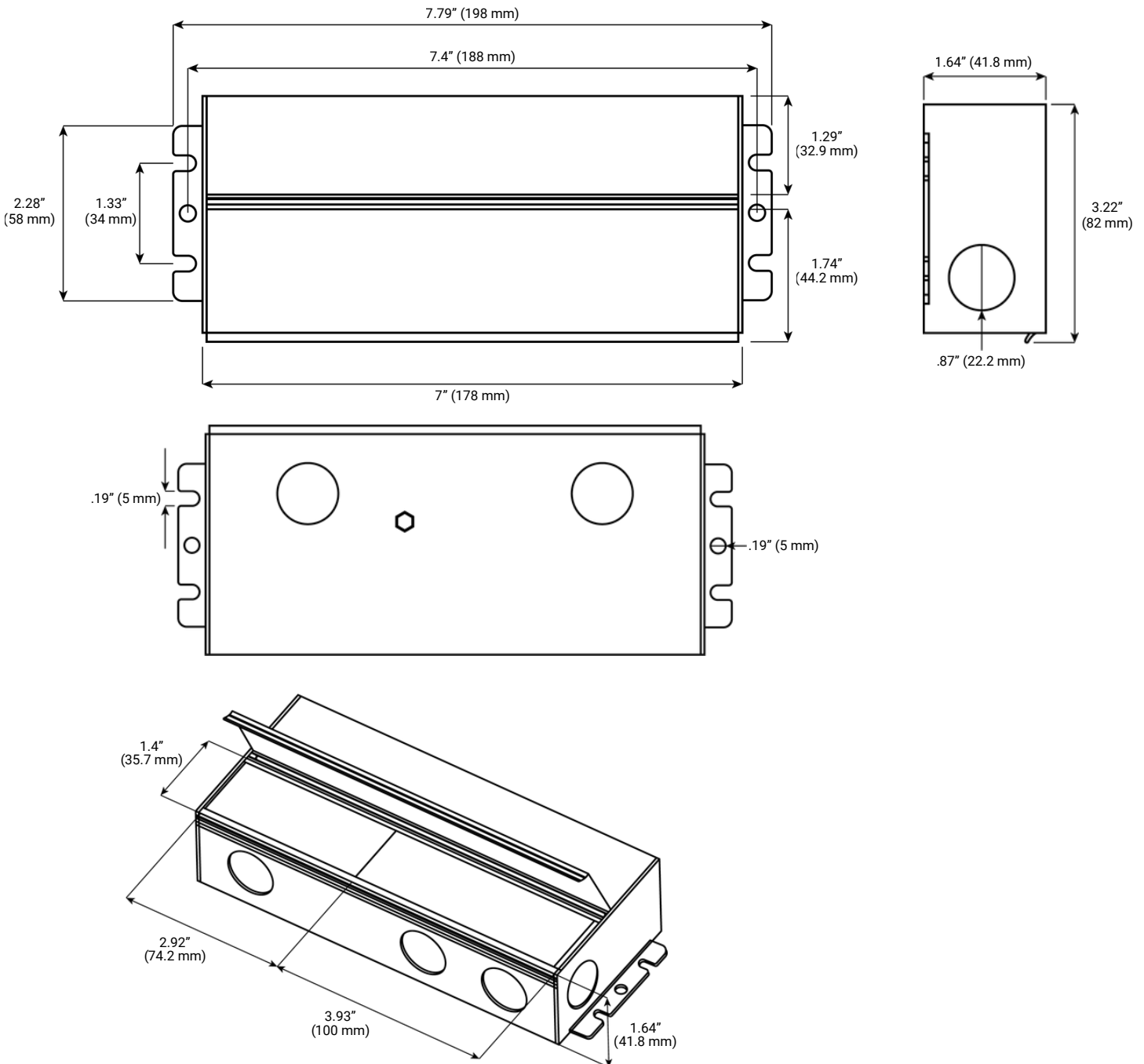
# MX2 Series

Multi-Output Class 2 Phase Cut Dimmable  
J-Box LED Driver



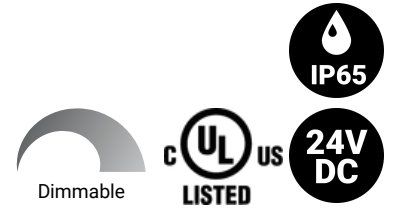
## Mechanical Diagrams

MX2-192W-24DC



# MX2 Series

Multi-Output Class 2 Phase Cut Dimmable  
J-Box LED Driver



## Mechanical Diagrams

MX2-288W-24DC

