

XRD Series

12/24VDC Super Compact Phase Cut Dimmable Class 2, J-Box LED Drivers



XRD Series

12/24VDC Super Compact Phase Cut Dimmable Class 2, J-Box LED Driver



Features

- Most compact dimmable junction box driver on the market
- Dimmable with TRIAC, MLV, or ELV dimmers (leading or trailing edge)
- Works seamlessly with COB tape lights
- Flicker-free dimming down to 1%
- No minimum load required
- Full load capable – no derating needed
- 89% efficiency at full load
- UL Listed – Class 2 compliant



Built-In JBox

Dimming

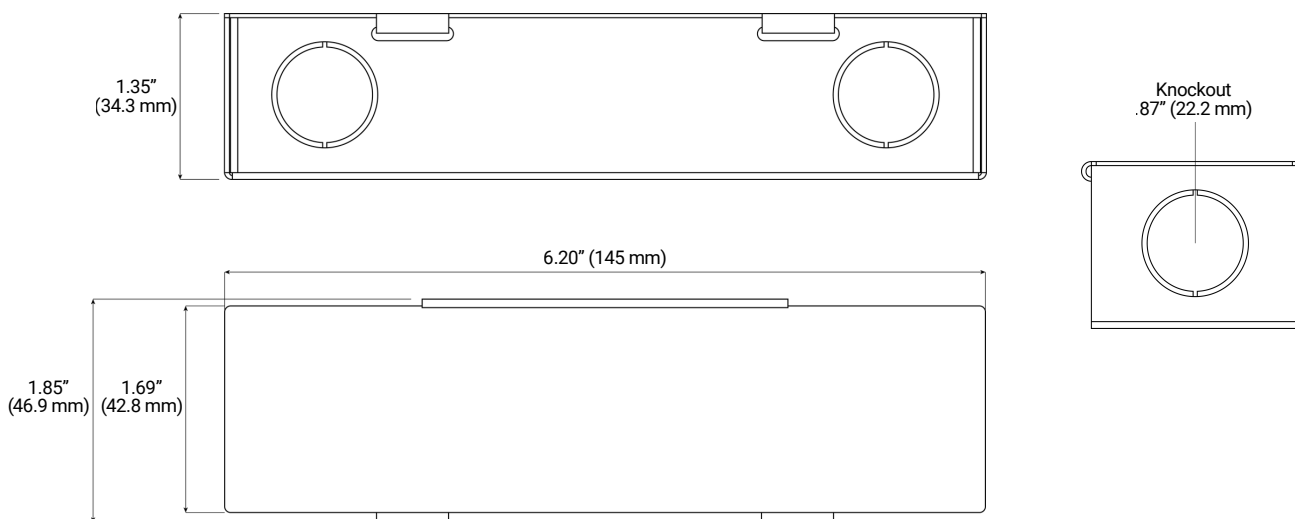
Dimming Protocol:	Triac / ELV (Phase cut)
Min. Dimming Level:	1%
Dim to Off:	Yes
Dimming Curve:	Linear

Applications

- LED strip
- LED tape
- Cove lights
- Linear lights
- Puck lights

Not compatible with Receivers / Controllers.

Mechanical Diagrams



XRD Series

12/24VDC Super Compact Phase Cut Dimmable Class 2, J-Box LED Driver



Specifications

Input	Ordering Code:	XRD-60W-24VDC	XRD-75W-24VDC	XRD-96W-24VDC
Input Voltage Range:		115VAC +/- 3%	115VAC +/- 3%	115VAC +/- 3%
Input Frequency:		60Hz	60Hz	60Hz
Input Current:		1.2A max	1.2A max	1.2A max
Inrush Current:		12A	12A	13A
Efficiency:		89%	89%	89%
Power Factor:		0.94	0.94	0.94
THD:		< 20% (@100% load)	< 20% (@100% load)	< 20% (@100% load)

Output

Output Voltage:	24VDC	24VDC	24VDC
Max Load:	60W	75W	96W
Output Current @ Max Load:	2.5A	3.3A	4.1A
Turn on delay time:	35ms	35ms	35ms

Environmental

Operating Ambient Temp.:	-40°F - 104°F (-40°C - 40°C)	-40°F - 104°F (-40°C - 40°C)	-40°F - 104°F (-40°C - 40°C)
Maximum Case Temp. (Tcase):	90°C	90°C	90°C
Ingress Protection (IP):	IP23	IP23	IP23
Cover type:	Screwless	Screwless	Screwless
Expected Lifetime:	>50,000	>50,000	>50,000

Protection

Over Temp Protection:	Hiccup Mode, auto Recovery after fault condition is removed
Over Load Protection:	Hiccup Mode, auto Recovery after fault condition is removed
Short Circuit Protection:	Hiccup Mode, auto Recovery after fault condition is removed

Enclosure

Dimensions:	6.20" x 1.85" x 1.35" (L*W*H)		
Material:	Sheet Metal	Sheet Metal	Sheet Metal
Finish:	Black Powder Coat	Black Powder Coat	Black Powder Coat
Connection type:	Lead Wire / J-box	Lead Wire / J-box	Lead Wire / J-box
Weight:	0.9lbs	0.9lbs	0.9lbs

XRD Series

12/24VDC Super Compact Phase Cut Dimmable Class 2, J-Box LED Driver



Specifications

Input	Ordering Code:	XRD-40W-24VDC	XRD-40W-12VDC	XRD-60W-12VDC
Input Voltage Range:		115VAC +/- 3%	115VAC +/- 3%	115VAC +/- 3%
Input Frequency:		60Hz	60Hz	60Hz
Input Current:		1.2A max	1.2A max	1.2A max
Inrush Current:		12A	12A	13A
Efficiency:		89%	89%	89%
Power Factor:		0.94	0.94	0.94
THD:		< 20% (@100% load)	< 20% (@100% load)	< 20% (@100% load)

Output

Output Voltage:	24VDC	12VDC	12VDC
Max Load:	40W	40W	60W
Output Current @ Max Load:	1.66A	3.33A	5A
Turn on delay time:	35ms	35ms	35ms

Environmental

Operating Ambient Temp.:	-40°F - 104°F (-40°C - 40°C)	-40°F - 104°F (-40°C - 40°C)	-40°F - 104°F (-40°C - 40°C)
Maximum Case Temp. (Tcase):	90°C	90°C	90°C
Ingress Protection (IP):	IP23	IP23	IP23
Cover type:	Screwless	Screwless	Screwless
Expected Lifetime:	>50,000	>50,000	>50,000

Protection

Over Temp Protection:	Hiccup Mode, auto Recovery after fault condition is removed
Over Load Protection:	Hiccup Mode, auto Recovery after fault condition is removed
Short Circuit Protection:	Hiccup Mode, auto Recovery after fault condition is removed

Enclosure

Dimensions:	6.20" x 1.85" x 1.35" (L*W*H)		
Material:	Sheet Metal	Sheet Metal	Sheet Metal
Finish:	Black Powder Coat	Black Powder Coat	Black Powder Coat
Connection type:	Lead Wire / J-box	Lead Wire / J-box	Lead Wire / J-box
Weight:	0.9lbs	0.9lbs	0.9lbs

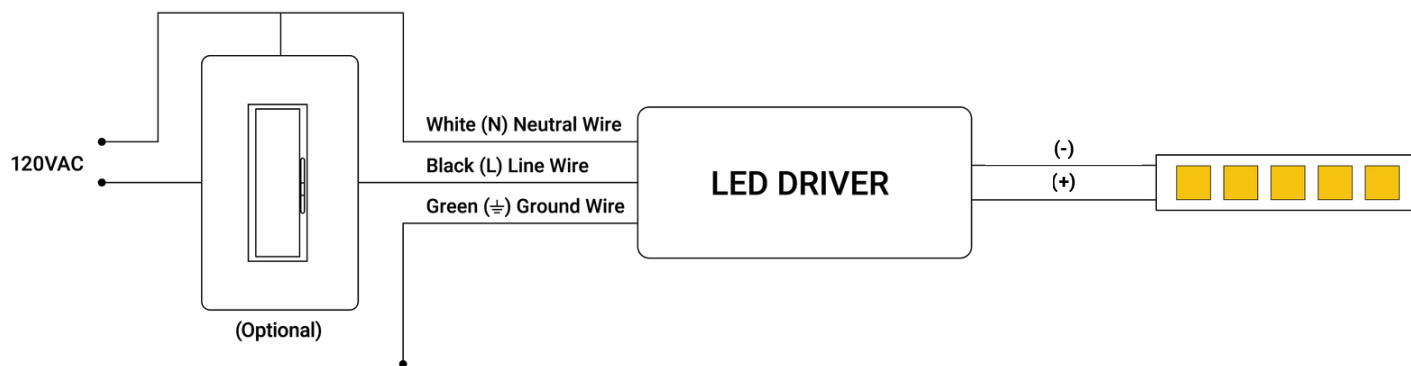
XRD Series

12/24VDC Super Compact Phase Cut Dimmable Class 2, J-Box LED Driver



Wiring Diagrams

ELV



TRIAC / MLV

